

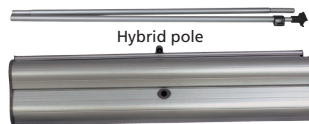
# Orient 1

ONT-800-S-4      ONT-800-B-4  
 ONT-850-S-4      ONT-850-B-4  
 ONT-920-S-4      ONT-920-B-4  
 ONT-1000-S-4     ONT-1000-B-4

The Orient is a simplistic and elegantly designed banner stand. It is finished in anodized silver or black with heavy duty molded endplates. Padded carry bag is included.



Available in black



Hybrid pole



Carry bag included

We are continually improving and modifying our product range and reserve the right to vary the specifications without prior notice. All dimensions and weights quoted are approximate and we accept no responsibility for variance. E&OE. See Graphic Templates for graphic bleed specifications.

## features and benefits:

- Variable graphic height: 60.5" - 83.25"
- Hybrid bungee/telescoping pole with toolless quickrail
- Adjustable feet on base
- Anodized silver and black base options
- Molded endplates
- Supplied with a padded carry bag with strap
- Lifetime limited warranty against manufacturer defects

## dimensions:

Hardware	Shipping
<b>Assembled unit:</b> <b>800mm:</b> 32.68" w x 84.75" h x 7.08" d 830.1mm(w) x 2153(h) x 179.8mm(d)  <b>850mm:</b> 34.65" w x 86" h x 7.08" d 880mm(w) x 2184mm(h) x 179.8mm(d)  <b>920mm:</b> 37.49" w x 84.75" h x 7.08" d 952.2mm(l) x 2153mm(h) x 179.8mm(d)  <b>1000mm:</b> 40.55" w x 84.75" h x 7.08" d 1030mm(w) x 2152mm(h) x 179.8mm(d)  <b>Base dimensions:</b> <b>800mm:</b> 32.68" w x 3.15" h x 7.08" d 830.1mm(w) x 80mm(h) x 179.8mm(d)  <b>850mm:</b> 34.65" w x 3.15" h x 7.08" d 880mm(w) x 80mm(h) x 179.8mm(d)  <b>920mm:</b> 37.49" w x 3.15" h x 7.08" d 952.2mm(w) x 80mm(h) x 179.8mm(d)  <b>1000mm:</b> 40.55" w x 3.15" h x 7.08" d 1030mm(w) x 80mm(h) x 179.8mm(d)	<b>Shipping dimensions - ships in one box</b> <b>800mm:</b> 38" l x 9" h x 5" d 965mm(l) x 229mm(h) x 127mm(d)  <b>850mm:</b> 38" l x 9" h x 5" d 965mm(l) x 229mm(h) x 127mm(d)  <b>920mm:</b> 42" l x 9" h x 5" d 1067mm(l) x 229mm(h) x 127mm(d)  <b>1000mm:</b> 45" l x 9" h x 5" d 1143mm(l) x 229mm(h) x 127mm(d)  <b>Approximate shipping weight (w/o graphic):</b> <b>800mm:</b> 11 lbs / 4.9 kgs  <b>850mm:</b> 11 lbs / 4.9 kgs  <b>920mm:</b> 13 lbs / 5.9 kgs  <b>1000mm:</b> 14 lbs / 6.35 kgs

## Graphic

Refer to related graphic template for more information.

**WARNING:** Always attach graphic to base and top rail before removing the locking pin. After fitting, the graphic should be left for 24 hours before use to ensure the adhesive bonds sufficiently. Opening the base will invalidate the product warranty.

## additional information:

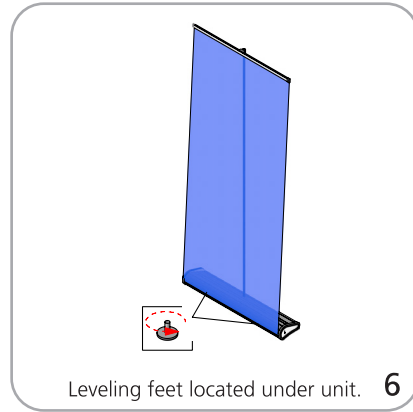
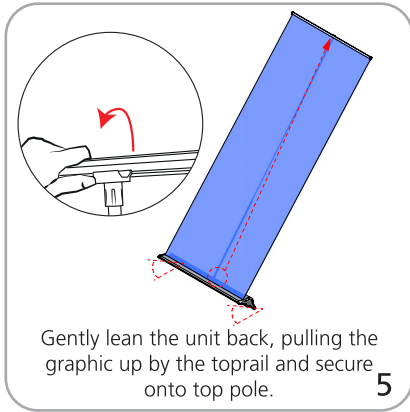
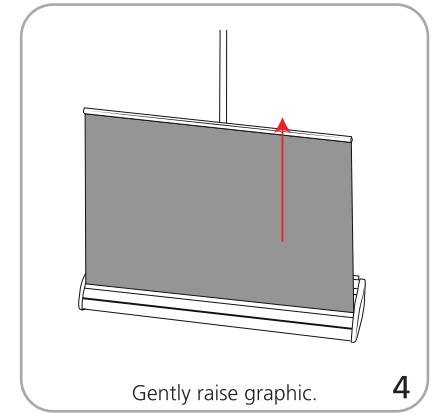
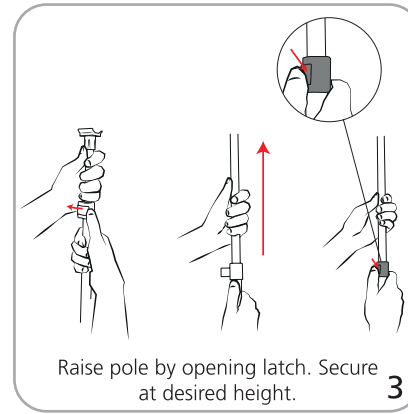
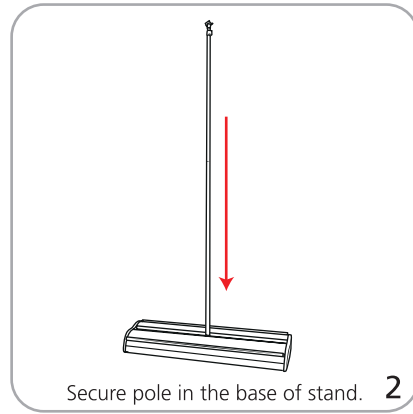
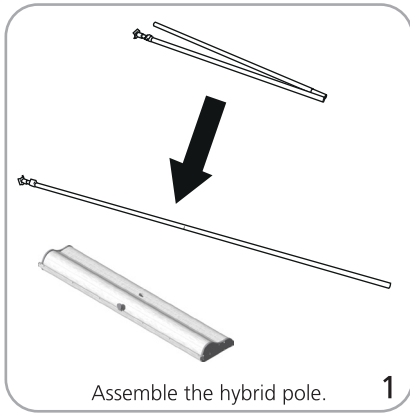
### Graphic materials:

14oz anti-curl vinyl, premium 100% opaque fabric, 11 mil melinex

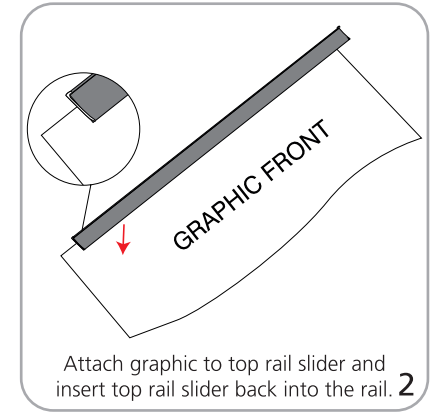
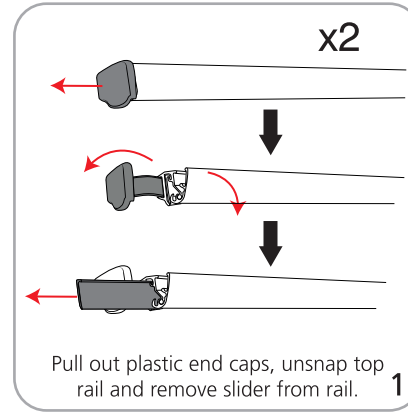
Lumina 2 banner lighting option available



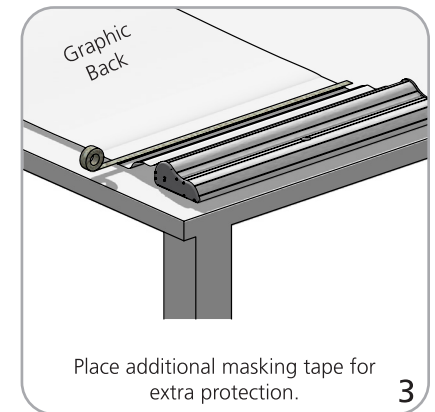
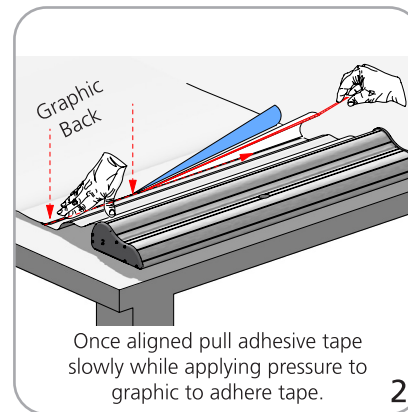
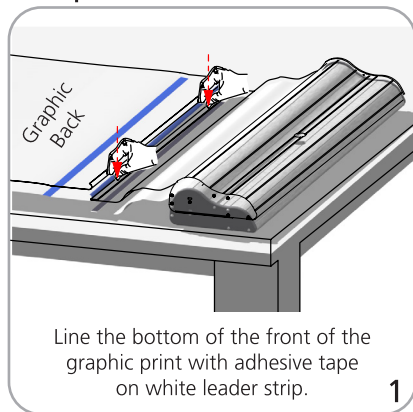
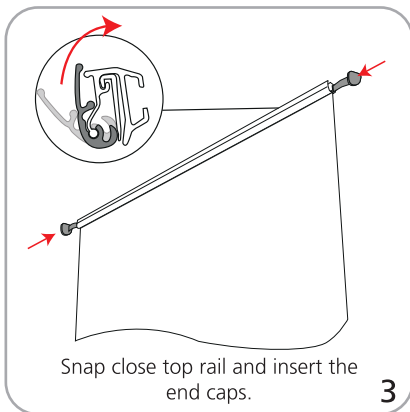
## Orient 1 set-up

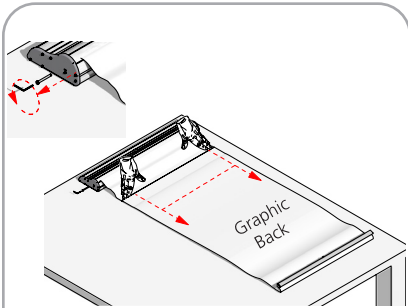


## Graphic to top rail attachment



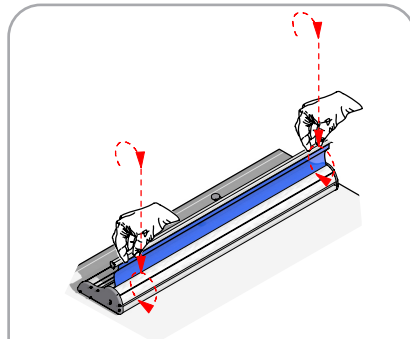
## Graphic to base attachment





Remove pin while holding onto the graphic so the graphic does not retract back in quickly.

4



Slowly retract the graphic back into the base.

5