

# Formulate 10' Straight - Kit 5

## FMLT-WS10-05

Formulate™ is a collection of sophisticated, ergonomically designed exhibit booths. Formulate combines state-of-the-art zipper pillowcase dye-sublimated fabric coverings with advanced lightweight aluminum structures to provide unique design, functionality, and style. The excellence of the Formulate line of displays, hanging structures and products is simply unmatched. Stretch fabric graphics are hand-sewn, durable and dry-cleanable.



We are continually improving and modifying our product range and reserve the right to vary the specifications without prior notice. All dimensions and weights quoted are approximate and we accept no responsibility for variance. E&OE. See Graphic Templates for graphic bleed specifications.

## features and benefits:

- State-of-the-art 30mm aluminum tube frame with snap button assembly
- Easy to store and ship
- Features three literature pockets
- Kit includes: one frame, one dye-sublimated zipper pillowcase graphic, stand-off literature holder, and one wheeled molded OCL and OCH2 storage case
- Lifetime hardware warranty against manufacturer defects

## dimensions:

Hardware	Graphic
Assembled unit: 116" w x 92.7" h x 27" d	Total visual area: 114" w x 91.5" h
literature holder dimensions: 23.6" w x 92.7" h x 19.15" d	Stand-off graphic panels: Top & bottom: 21" w x 17.5" h
Approximate weight (includes graphic): 51.5 lbs / 23.36 kg	Please be sure to include a 2" bleed around the perimeter
Shipping	Refer to related graphic template for more information.
Shipping dimensions: 1 OCL case: 19" l x 19" w x 56" h 1 OCH2 case: 52" l x 30" w x 15" h	Visit: <a href="http://www.exhibitors-handbook.com/graphic-templates">www.exhibitors-handbook.com/graphic-templates</a>
Approximate shipping weight (with cases): 93.5 lbs / 42.4 kg	

## additional information:

Graphic materials:  
Dye-sublimated zipper pillowcase fabric,  
3mm white PVC

\*Backside can be upgraded to print

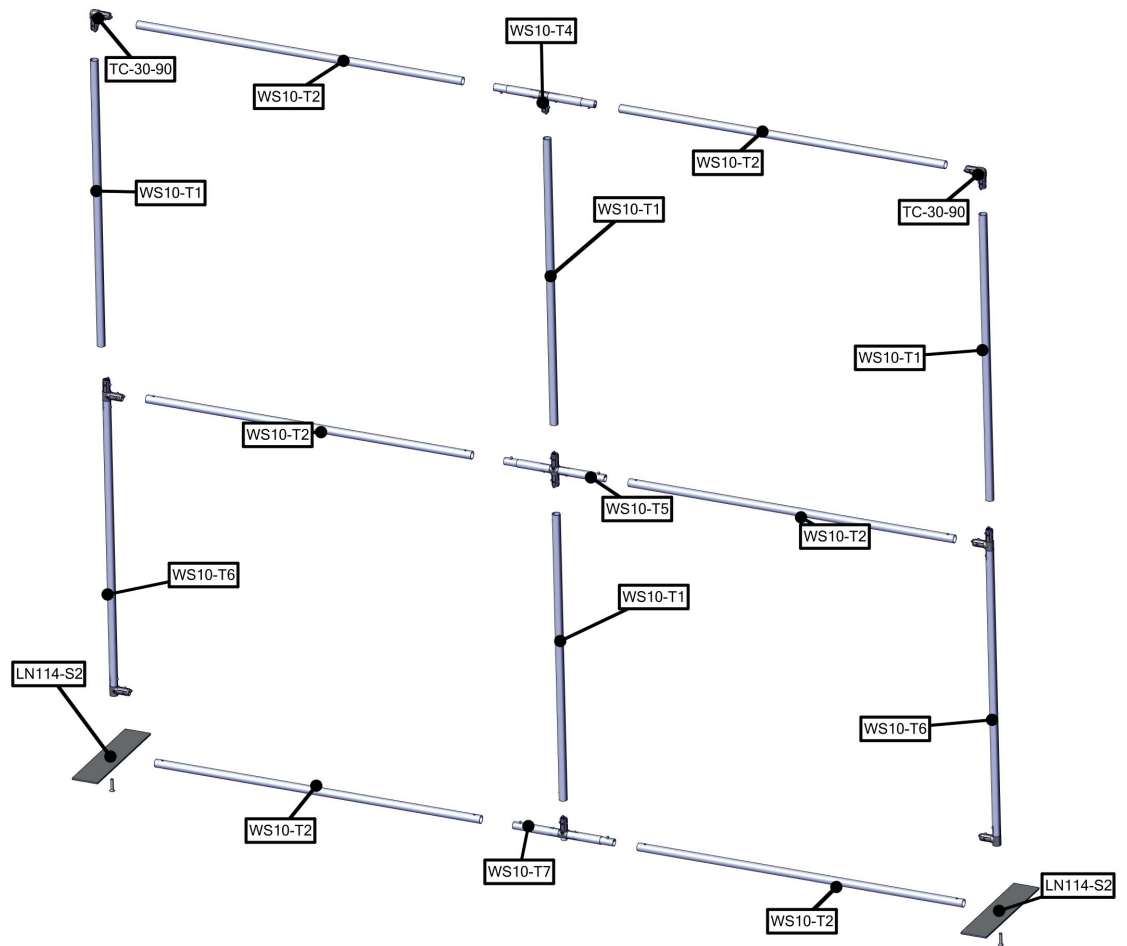
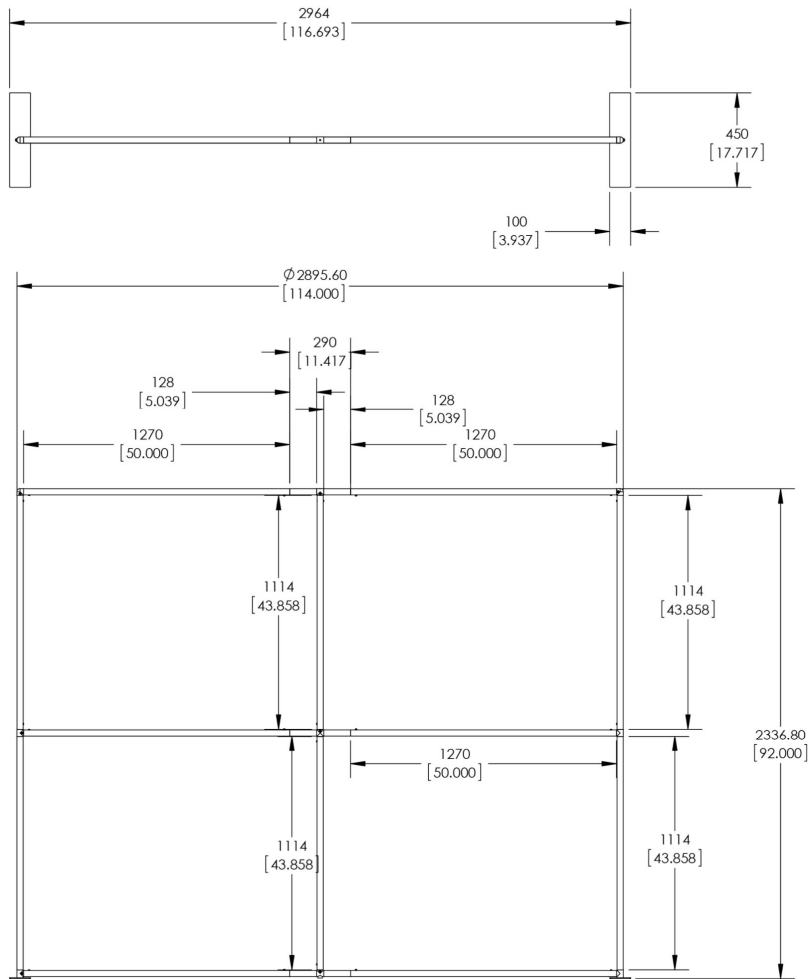
Optional accessories:  
Lumina 8-50 watt halogen lighting, graphic header, literature pocket, larger freight cases



[www.display-setup-animations.com](http://www.display-setup-animations.com)

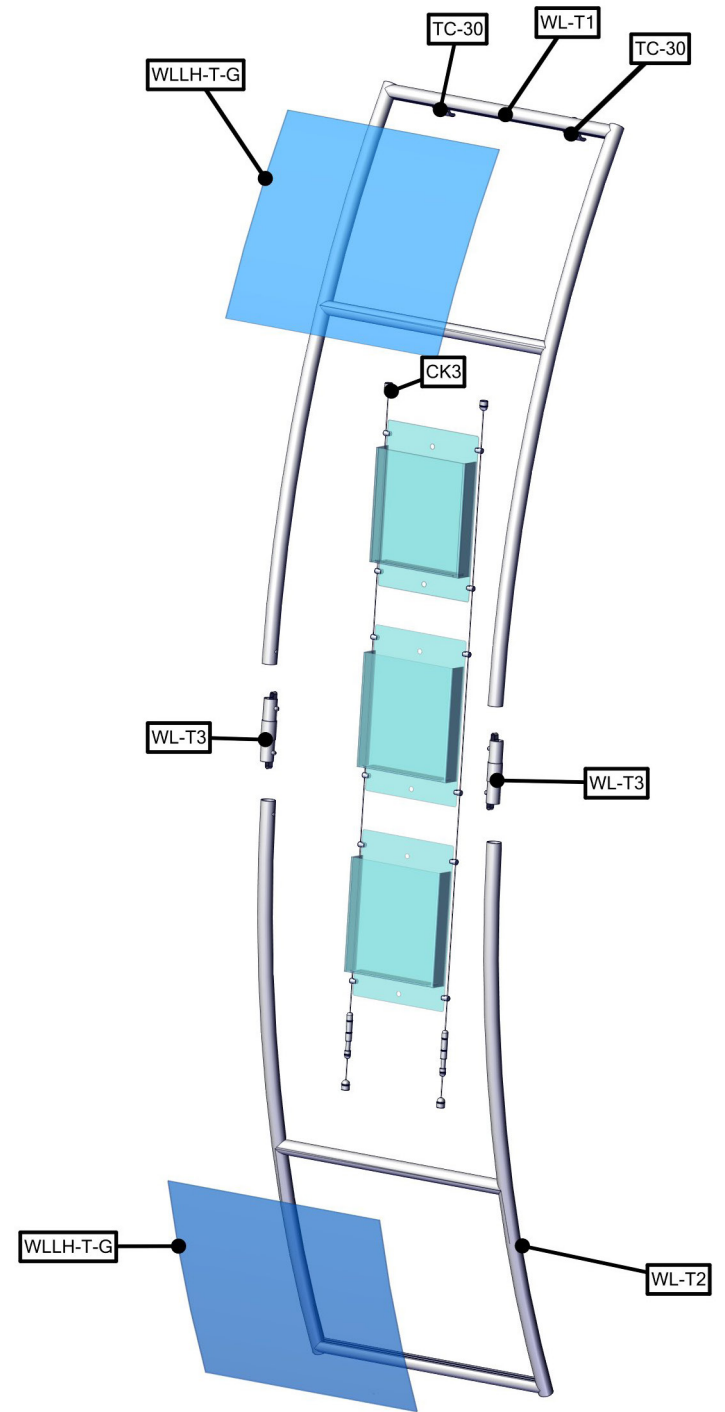
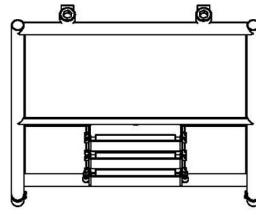
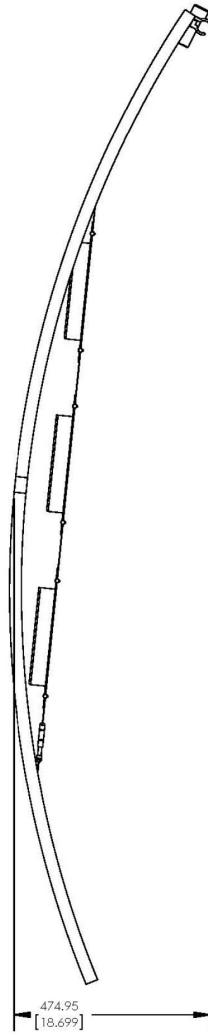
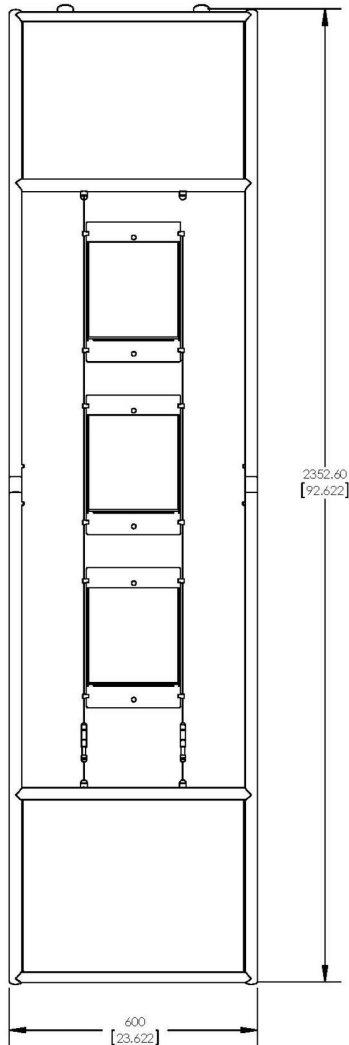
### Parts Included – Backwall

Part Label	Qty	Part Code
5MM STEEL BASE STYLE 2 FOR LINEAR	x2	LN114-S2
90 DEGREE ELBOW JOINT FOR 30MM TUBING	x2	TC-30-90
1114MM X 30MM TUBE	x4	WS10-T1
1270MM X 30MM TUBE	x6	WS10-T2
(2) 128MM TUBES SWAGED WITH PART TC-30-T	x1	WS10-T4
(2) 128MM TUBES SWAGED WITH PART TC-30-X	x1	WS10-T5
1114MM X 30MM TUBE WITH TC-30-T AND TC-30-90B	x2	WS10-T6
(2) 128MM TUBES SWAGED WITH PART TC-30-T	x1	WS10-T7

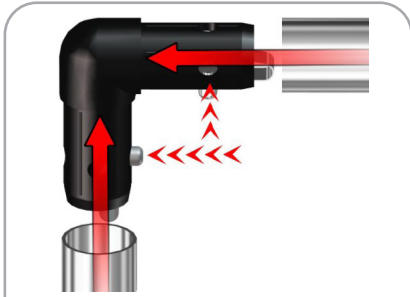


### Parts Included – Ladder

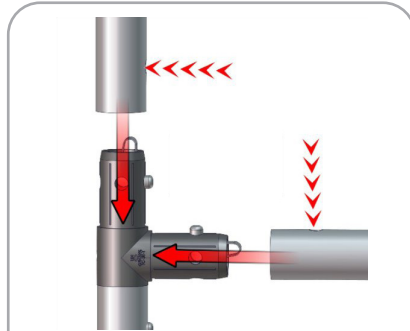
Part Label	Qty	Part Code
CABLES WITH (3) LITERATURE POCKETS	x1	CK3
SILVER ANODIZE FINISH 30MM TUBE CLAMP	x2	TC-30
30MM TUBE SECTION	x2	WL-T3
TOP SINTRA GRAPHICS	x2	WLLH-T-G
30MM TUBE SECTION	x1	WL-T2
30MM TUBE SECTION	x1	WL-T1



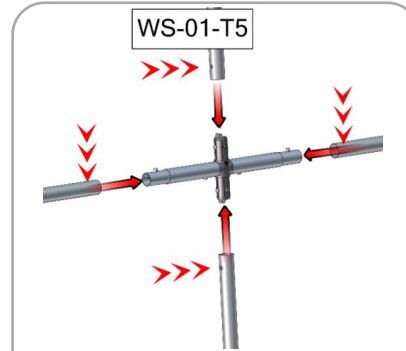
### STEP 1: ASSEMBLE FRAME



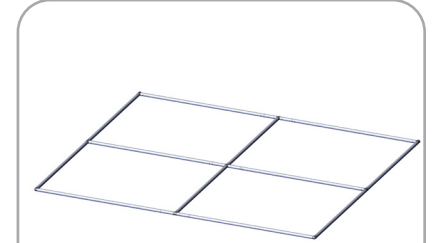
Assemble frame corners using TC-30-90. Label codes will be on backside of tube. It is best to assemble frame laying flat.



Connect sides of frame by lining up holes with snap buttons.

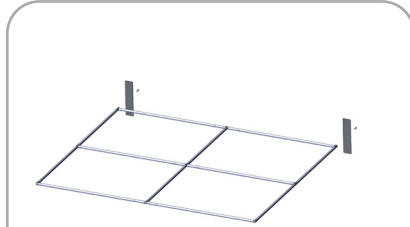


Use WS-01-T5 to connect frame in the middle; snap on button.

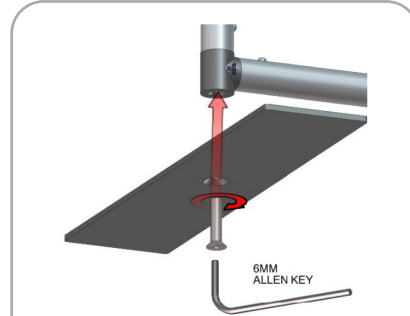


Frame is complete.

### STEP 2: ATTACH FEET

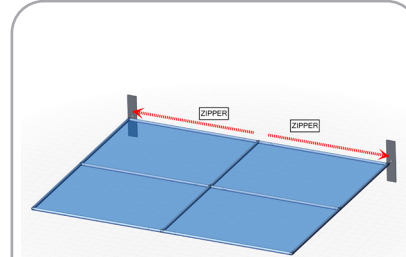


Once frame is connected attach feet. It is best to assemble with frame still laying flat.

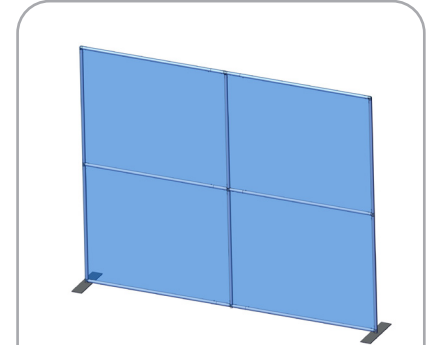


Use provided allen key, secure feet to bottom of frame by screwing bolt.

### STEP 3: ATTACH GRAPHIC

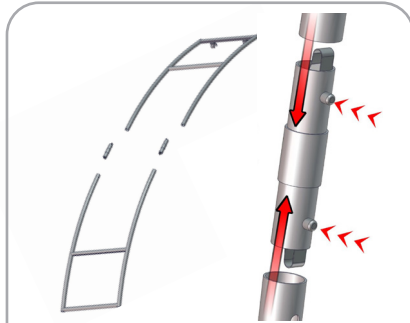


Slide graphic over top end of frame. Zip fabric closed on bottom.



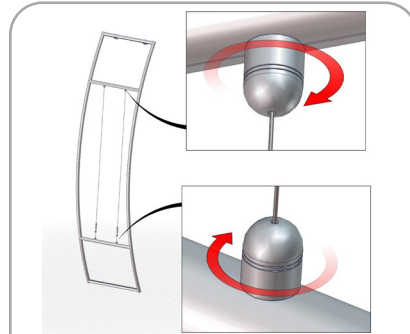
Stand unit upright.

### STEP 4: ASSEMBLE STAND-OFF LADDER FRAME

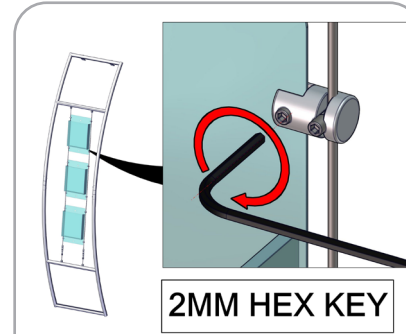


Connect top of accent frame to bottom using WL-T3 by pressing snap buttons.

### STEP 5: ATTACH LITERATURE HOLDER

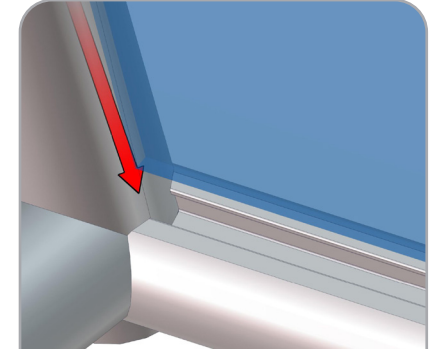


Twist on cables to top and bottom tubes.



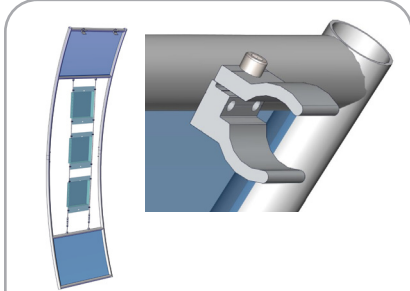
Install brochure holders on cables with CKPS4 using 2mm hex key.

### STEP 6: ATTACH GRAPHICS

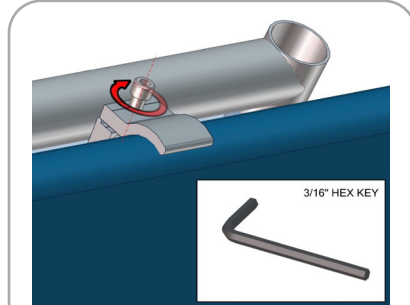


Slide infill panels into channels.

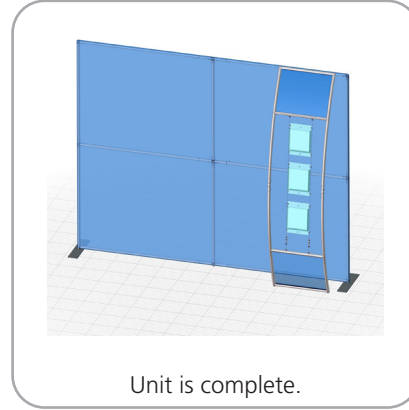
**STEP 7: ATTACH TO  
BACKWALL WITH CLAMPS**



Tube clamps will come attached to frame. Position accent in front of backwall in desired location.



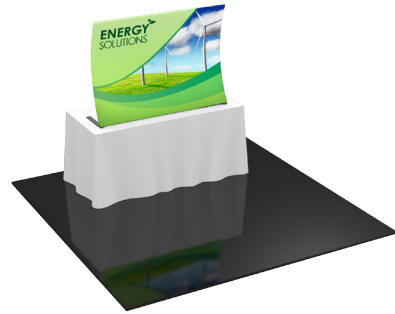
Using provided 3/16" hex key, rotate bolt clockwise to secure accent to top of fabric backwall.



Unit is complete.

# Check out these related products:

The Formulate line is a collection of stylish, ergonomically designed tabletop, 8ft, 10ft, 20ft exhibits, hanging structures, and display accessories. Formulate combines state-of-the-art zipper pillowcase dye-sublimated fabric coverings with a premium lightweight aluminum structure. Formulate is efficient, easy to assemble and disassemble, and offers remarkable style options and choices.



Formulate Tabletops



Formulate 8ft Kits



Formulate 10ft Kits  
(Horizontal Curve)



Formulate 10ft Kits  
(Vertical Curve)



Formulate 10ft Kits  
(Straight)



Formulate 20ft Kits



Formulate Hanging Structures